



PRESSURE SWITCHES

PS SERIES



- **STURDY MECHANISM**
- **TRIPLE POLE CUT-IN / CUT-OUT**
- **DIAPHRAGM SENSOR**

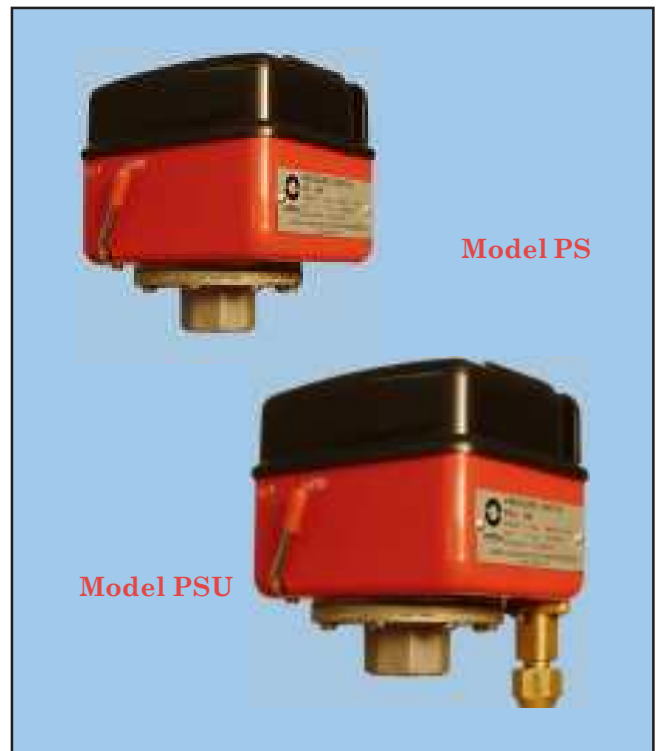
Series PS Pressure Switches are essentially meant for On-Off pressure control applications such as air compressor or water pump to control their working between the minimum and maximum setting values: at the maximum setting value, pressure switch contacts open and stops the motor, at the minimum value, pressure switch contacts close and starts the motor.

A specially contoured diaphragm senses the change in pressure and actuates a triple pole contact switch, which enables direct switching of 3 phase motors.

The setpoint (cut-out pressure) and resetpoint (cut-in pressure) are adjusted by a Range screw and Differential screw.

A pressure relief valve to relieve the pressure locked at the compressor cylinder head is available in Model PSU.

A hand lever is provided to lock the contacts in "OFF" position if required. When set to "AUTO" position, the pressure switch initiates normal operation.



GENERAL SPECIFICATION

Enclosure	Epoxy coated MS Enclosure with Engineering Plastic cover Weatherproof to IP:44
Sensor	Nitrile Diaphragm (Buna-N) fabric interlaid
Wetted Parts	Aluminium
Ranges	1 – 4 or 2.5 – 9.5 or 7 – 15 bar
Switching	3 pole (TPST) contacts, normally closed
Rating	9A, AC-3 Phase, 500V; 6A 220V DC

Differential	Wideband, adjustable
Ambient Temp.	0 to 70°C
Max. Process Temp.	100°C

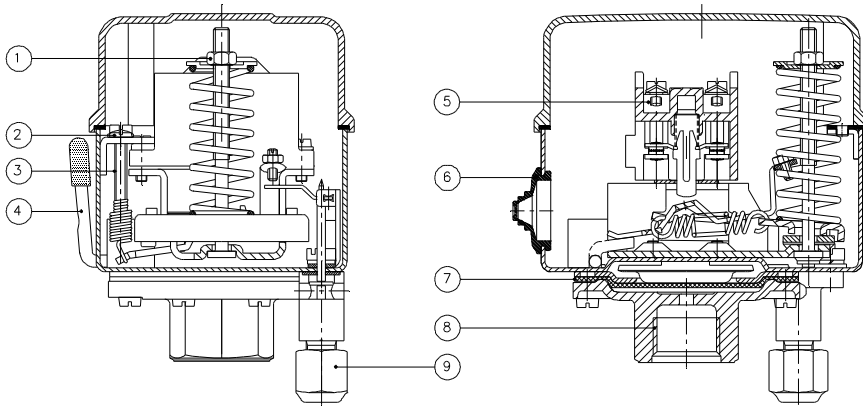
Connections

Process Pressure	1/2" BSP F
Pr. Relief Valve (Model PSU only)	1/4" Flare connection with nut.
Electrical Entry	Suitable for 6 to 14 mm dia cable
Mounting	Direct-on-line

ORDERING MATRIX

Model	Range (bar)	Differential (bar)		Max. Pressure (bar)	Pressure Relief Valve (U)	Manual Switch
		Min.	Max.			
PS-4B	1 to 4	0.6 to 0.7	3	8	×	✓
PS-9B	2.5 to 9.5	1.2 to 1.8	7	20	×	✓
PS-15B	7 to 15	1.7 to 2.3	7	20	×	✓
PSU-9B	2.5 to 9.5	1.2 to 1.8	7	20	✓	✓
PSU-15B	7 to 15	1.7 to 2.3	7	20	✓	✓
PSU-15X	7 to 15	1.7 to 2.3	7	20	✓	×

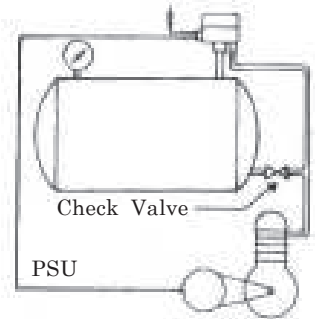
OPERATING PRINCIPLE



1. Adjustable Nut for Cut-out Pressure
2. Earth Terminal
3. Adjustable Screw for Cut-in Pressure
4. Hand Lever for Manual OFF
5. Terminals
6. Cable Entry
7. Sensing Diaphragm
8. Process Connection
9. Pressure Relief Valve (for Model PSU only)

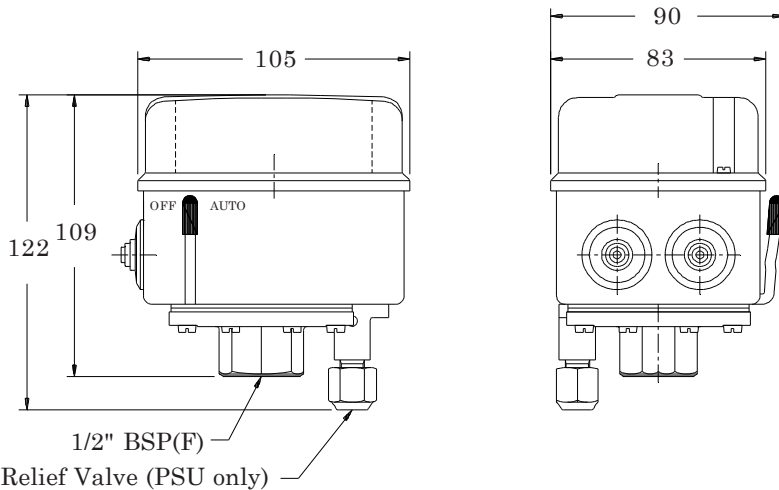
PRESSURE RELIEF VALVE (FOR PSU MODEL)

To be connected to delivery line between compressor and receiver. Check valve at receiver inlet has to be used. 1/4" Flare connection is provided for relief valve.

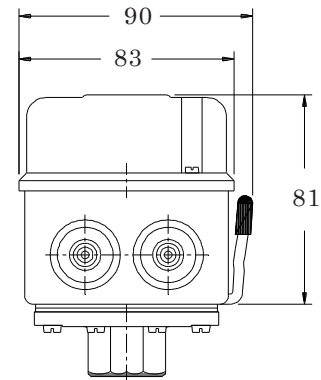


MOUNTING DIMENSIONS

PSU - With Relief Valve



PS - Without Relief Valve



All dimensions are in mm

This is not a contractual document. Prior notification of changes in specifications is impracticable due to continuous improvement



Indfos Industries Limited

Regd. Off : 2749, Street No.13, Ranjith Nagar, New Delhi 110 008

web-site : www.indfos.com

WORKS

1. B20, Industrial Area, Site 3, Meerut Road, Ghaziabad (UP) 201 003
Ph : 0120-2712016 / 2712134 Fax : 0120-2712023 E-mail : sales@indfos.com
2. 86, Thiroopur Kumaran Street, Athipet, Ambattur, Chennai 600 058

SALES	E-MAIL	PHONE	FAX
Chennai	chennai@indfos.com	044-2435 3407	044-2431 1760
Coimbatore		9486191368	
Delhi	delhi@indfos.com	011-2589 7296	011-4500 9460
Kolkata	kolkata@indfos.com	033-2486 6761	033-2486 6761
Mumbai	mumbai@indfos.com	022-2565 6936	022-2569 1237